

Paradigm™ Selectronic® Faucet

SMARTHERM® ANTI-SCALD PROTECTION IN AN EASY TO INSTALL DESIGN

Sleek and streamlined, the Paradigm Selectronic Integrated Faucet from American Standard takes a cue from modern design. It features the patented SmarTherm® Safety-Shut Off which is ASSE 1070 certified and automatically protects the user from scalding. The simple integrated design, with all electronics in the spout, is engineered for easy installation and maintenance to save time and money. It eliminates the control box and provides for a clean, clutter-free under-deck space.



*American
Standard*

Paradigm™ Selectronic® Faucet

SmarTherm® Safety Shut-Off*: Integral thermostatic hot water temperature limiter meets ASSE 1070 without a separate thermostatic mixing valve

Clean, Integrated Design: All electronics contained in faucet spout. No control box below deck

Easy Installation and Maintenance: Faucet installs from the top. All serviceable parts are easily accessible

Flow Rate Options (All Vandal Resistant)

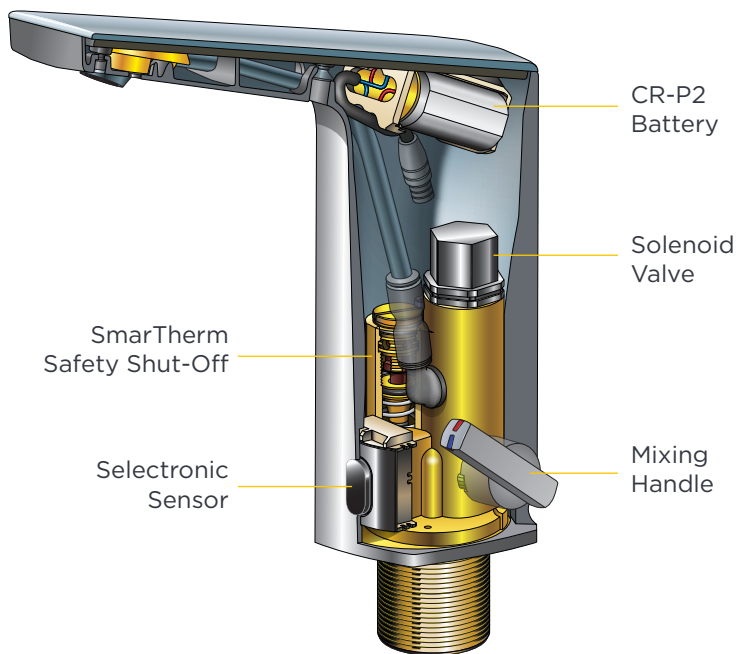
- 0.35 and 0.5 gpm multi-laminar spray
- 1.5 gpm laminar flow outlet with adjustable spray face

Above-Deck Mixing: Allows user to manually adjust temperature. Adjustable hot limit stop. Red and blue indicators

Removable Mixing Handle: Installer can set temperature and remove handle to prevent user adjustment. Cover plug included

Hygienic, touch-free operation

Flexible Selectronic® Platform with programmable sensor and interchangeable power supplies



Temperature Control Options



4" Deck Plates Available

SKU	DESCRIPTION
7025.103, 7025.105, 7025.115, 702B.103, 702B.105, 702B.115	Less Mixing
7025.203, 7025.205, 7025.215, 702B.203, 702B.205, 702B.215	Above-Deck Mixing (ADM)
7025.303, 7025.305, 7025.315, 702B.303, 702B.305, 702B.315	SmarTherm + ADM
702P.400	Deck Plate

*SmarTherm Safety Shut-Off available only on Above Deck Mixing models.

